

**Material:**

**Housing:** High temperature housing withstands IR and VPR soldering methods.

**Contacts:** Brass.

**Plating:** Gold plated over nickel.

Tin plated over nickel.

**Electrical Characteristics:**

**Current Rating:** 1 AMP.

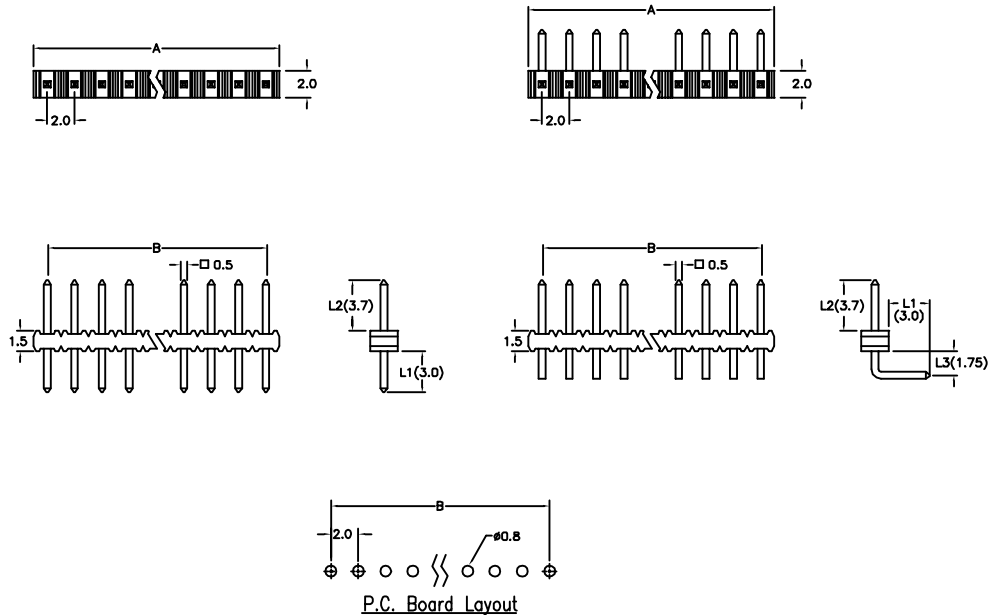
**Insulator Resistance:** 5000MΩmin. at DC 500V.

**Contact Resistance:** 20mΩmax. at DC 100mA.

**Operating Temperature:** -65°C ~ +125°C .

**Features:**

- \* Low Profile 1.5mm (0.059").
- \* Available in Straight and Right angle.
- \* Side-to-side and end-to-end stackable.
- \* Custom design offered.



Position	2 Thru 40
Dimension	
A	2.0 X No. of Positions +0.38
B	2.0 X No. of Positions -2.0

**Ordering information**

PH11- 1 40 1 1  
 Series Single Row No. of Pin Per Row 1: Gold Plated 2: Tin Plated 1: Straight 2: Right Angle

Custom Design: Straight (i.e. PH11-14011/L1 /L2)  
 Right Angle (i.e. PH11-14012/L1 /L2/ L3)